



DZYOB

UNMANNED AERIAL VEHICLE



OFFERING
UAV for a wide range of
applications



DZYOB D1

UNMANNED AERIAL VEHICLE

Production capabilities:

A

One set of matrices with the ability to produce up to 15 planes within 1 calendar month.

B

Production capacity can be scaled up based on customer needs. A set of master models is available for this purpose

C

The cost of an unmanned aerial vehicle is 20,000 \$ USD.

D

It is possible to produce models to order and modernize UAV to meet customer needs

1

Areas of potential demand

Military units:

Delivery of ammunition to the target
Aerial photography
Patrol and reconnaissance missions
Security of borders and border areas
Adjustment of artillery fire

2

Agricultural sector:

Mapping and land inventory
Monitoring and control of crops
Germination assessment and productivity forecasting
Trichogram fertilization and crop pollination
Environmental safety and control

3

International market:

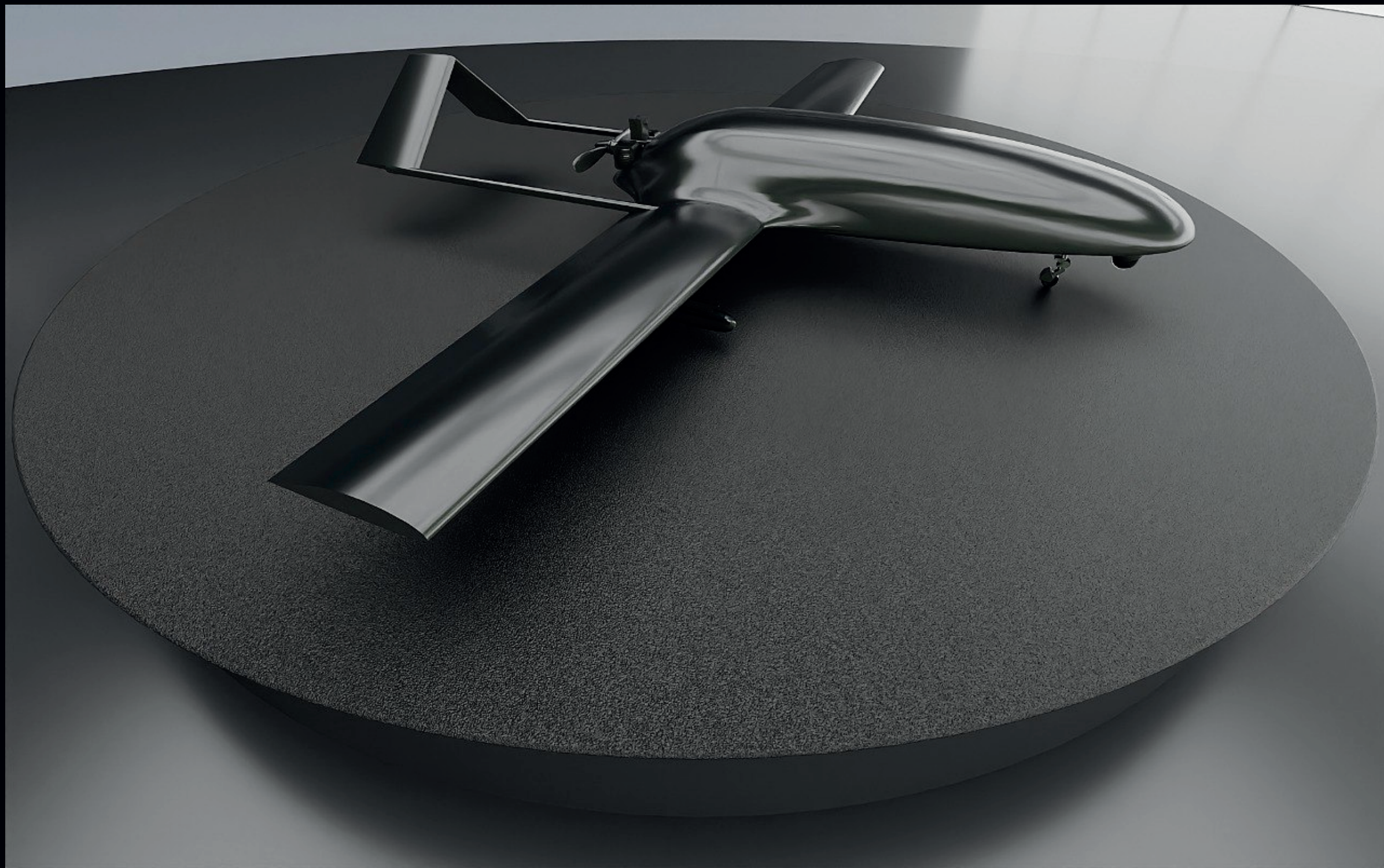
All of the above





DZYOB D1

UNMANNED AERIAL VEHICLE





DZYOB D1

UNMANNED AERIAL VEHICLE

Characteristics

Range:

1600 km;

Flight time:

8 hours;

Flight speed:

150 - 200 km/h;

Maximum flight altitude:

3500 m;

Weight of the equipped model:

100 kg;

Payload weight:

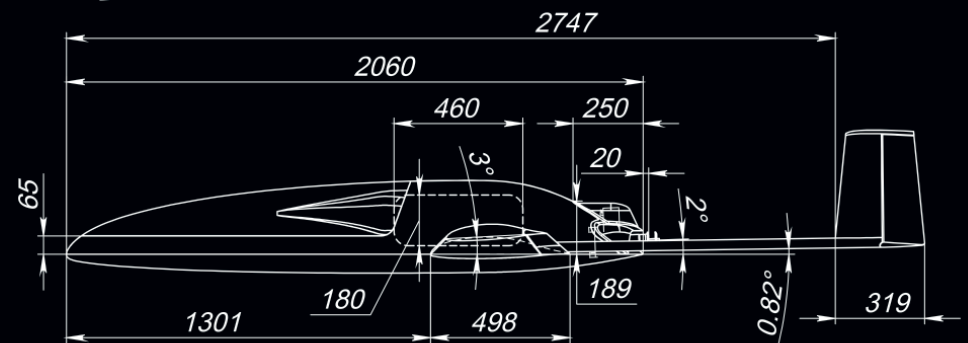
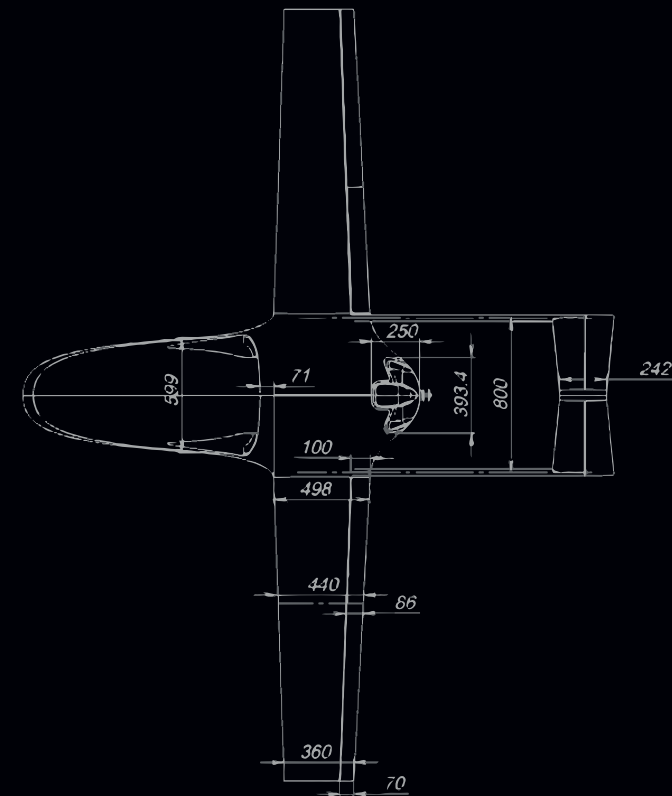
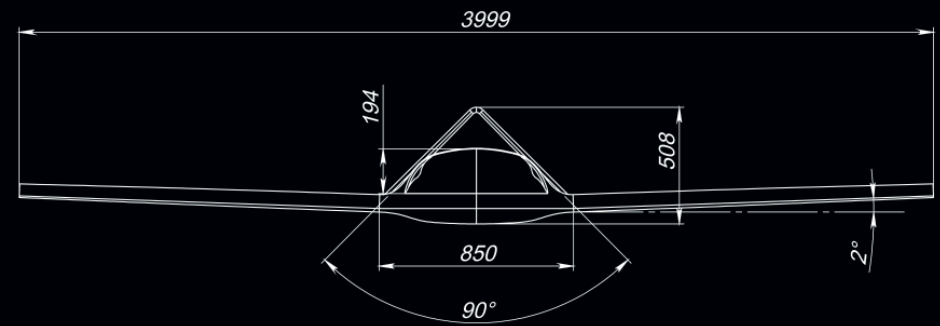
65 kg;

Horizontal takeoff and landing:

runway from 50 meters;

Additional options:

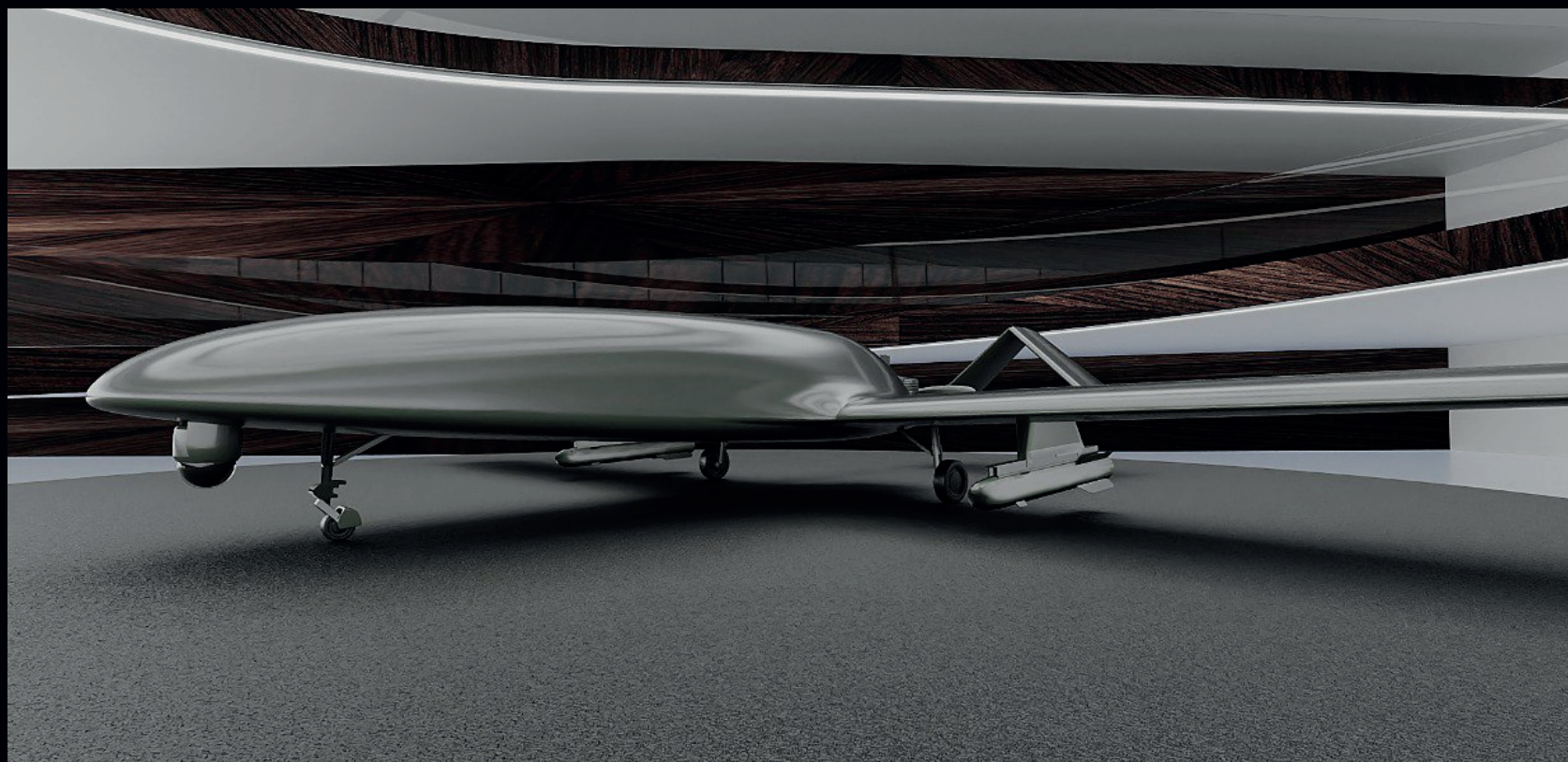
Additional equipment can be installed according to the customer's specifications





DZYOB D1

UNMANNED AERIAL VEHICLE





DZYOB D1

UNMANNED AERIAL VEHICLE

